



# VERSAs DISPLAY

## CGCM-CT SERIES 27 COUNTERTOP CURVED GLASS DISPLAY CASES

### CGCM-CT SERIES 27 CURVED GLASS COUNTERTOP DISPLAY CASES



- AVAILABLE IN 4 SIZES

**CGCM-CT-2727**

**CGCM-CT-3427**

**CGCM-CT-4827**

**CGCM-CT-6027**

- BRILLIANT INTERNAL LED ILLUMINATION ON TOP
- SLIDING DOORS AT BACK
- DIGITAL TEMPERATURE CONTROL AND DISPLAY
- 4 SIDES DOUBLE TEMPERED GLASS
- FRONT CURVED GLASS
- ADJUSTABLE CHROME PLATED SHELVES
- VENTILATED COOLING SYSTEM
- AUTOMATIC DEFROST
- MAINTENANCE FREE CONDENSER

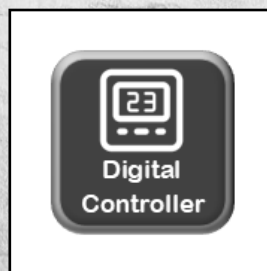
**WARRANTY:**  
TWO YEAR PARTS AND  
LABOUR; FIVE YEARS ON  
COMPRESSOR

SPECIFICATIONS SUBJECT TO  
CHANGE WITHOUT NOTICE.

FIND  
ADDITIONAL  
BENEFITS  
HERE



#### ADDITIONAL IMAGES



#### MODEL DESIGNATIONS




#### ADDITIONAL RESOURCES

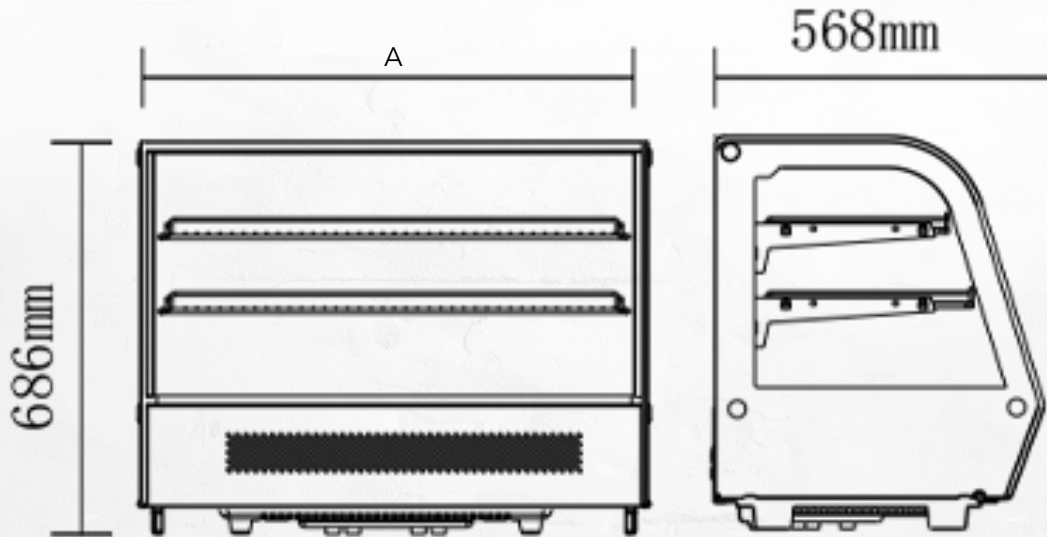
# CGCM-CT SERIES 27

## COUNTERTOP CURVED GLASS DISPLAY CASES

MODEL		PRODUCT DIMENSIONS					SHIPPING DIMENSIONS				DOORS	SHELVES	HP	AMPS
		WIDTH (A)	DEPTH (B)	HEIGHT (C)	WEIGHT LB/KG	CAPAC. (L/CUFT)	WIDTH	DEPTH	HEIGHT	WEIGHT LB/KG				
CGCM-CT-2727	INCH	27.6	22.3	27.0	125.6	120.0	30.1	24.8	28.3	132.2	2.0	2.0	1/5	2.7
	MM	702.0	568.0	686.0	57.0	4.2	765.0	630.0	720.0	60.0				
CGCM-CT-3427	INCH	34.6	22.3	27.0	145.5	160.0	37.2	24.8	28.3	154.3	2.0	2.0	1/5	3.0
	MM	880.0	568.0	686.0	66.0	5.6	945.0	630.0	720.0	70.0				
CGCM-CT-4827	INCH	48.0	22.3	27.0	202.8	200.0	50.5	24.8	28.3	211.6	2.0	2.0	1/4	3.9
	MM	1,220.0	568.0	686.0	92.0	7.1	1,285.0	630.0	720.0	96.0				
CGCM-CT-6027	INCH	60.0	22.3	27.0	230.3	227.0	62.5	24.8	28.3	246.9	2.0	2.0	1/5	3.4
	MM	1,525.0	588.0	686.0	104.5	8.0	1,590.0	630.0	720.0	112.0				

VOLTAGE	NEMA PLUG	CORD LENGTH	REFRIGERANT	TEMPERATURE RANGE	 NEMA 5-15P
110-120~	5-15P	≥1.8m	R290	0-12C 32-53F	

LINE DRAWINGS



EFI Sales Ltd.  
 Toronto Office & DC  
 515 Hanlon Creek Blvd.  
 Guelph, ON, N1C 0A1

EFI Sales Ltd.  
 Vancouver Office & DC  
 26895 Gloucester Way  
 Langley, BC, V4W 3Y3

(888) 565-9920 Toll Free  
 (519) 822-1895 Toronto  
 (604) 607-8850 Vancouver

