



Equipment for the Foodservice Industry  
value + quality + service

## X-LINE 72" Refrigerated Salad/ Sandwich Prep Table

Model No:  
**CSDR3-72VCX**



### CSDR3-72VCX

### Features

#### Features:

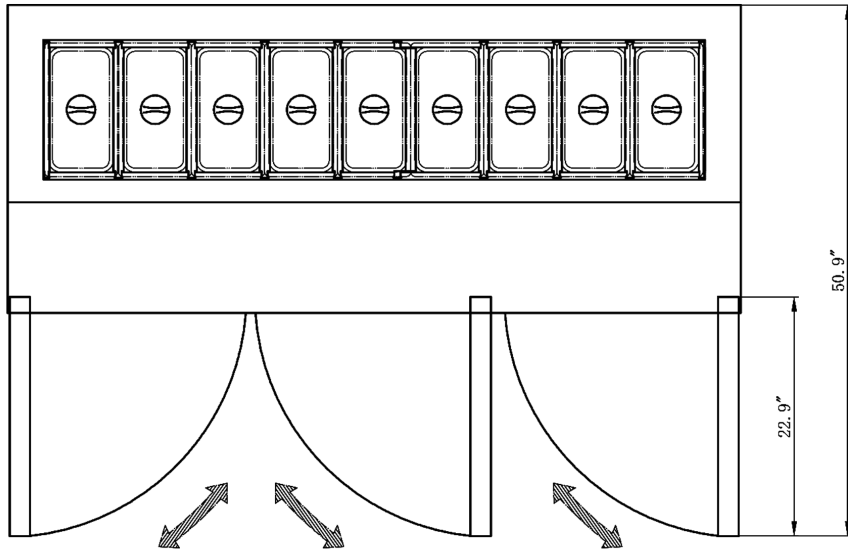
- Stainless steel interior and exterior
- Round corner design for inner bottom board
- Polyethylene cutting board
- Self-closing swing door w/90°stay open feature
- Recessed handles
- Removable gasket that is easy to clean and replace
- Adjustable/removable plastic coated wire shelves
- Enclosed condiment section
- R290 refrigeration system holds 33°F to 41°F (0.5°C to 5°C)
- Insulated lid on prep units helps to maintain food freshness
- Casters for easy movement
- Adjustable temperature set point and defrost frequency
- Error codes to diagnose service issues
- Condenser access at rear of unit, slides out for easy maintenance

#### Warranty:

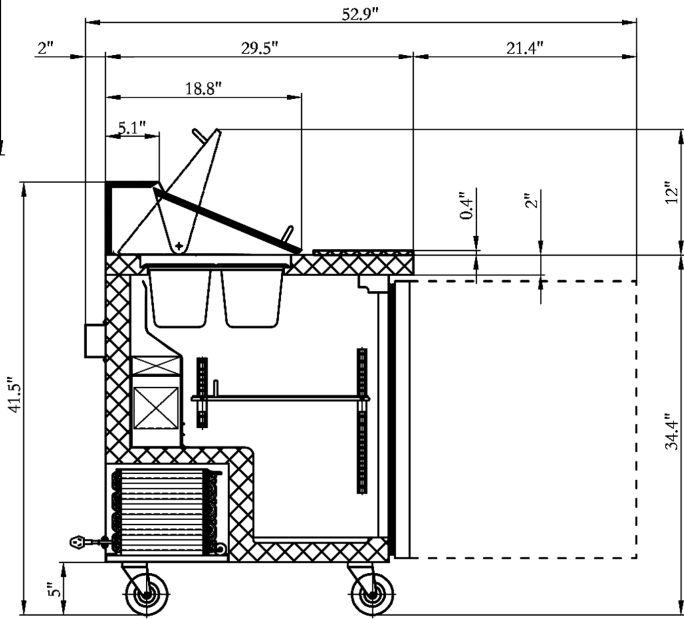
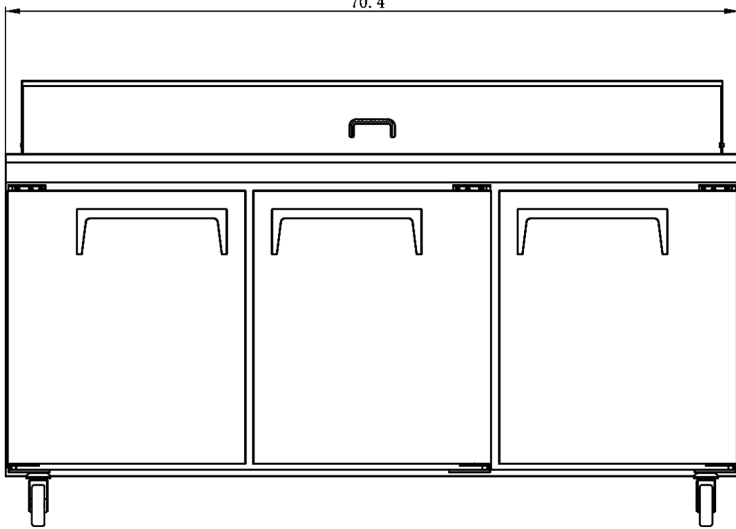
- Two year parts and labour; Five years on compressor. For full warranty details visit <https://www.efifoodequip.com/warranty-info.php>




**CSDR3-72VCX Specifications**



PLAN  
70.4"



SECTION VIEW

Model	Doors	Shelves	Dimension (mm) (inch)			HP	Voltage	Amps	Capacity (L) (Cu Ft.)	Net Weight (KG) (LBS)	NEMA Config.
			W	D	H						
CSDR3-72VCX	3	3	1787	750	1055	1/2	115/60/1	6.48	440	172	5-15P 
			70.4	29.5	41.5						

Specifications subject to change without notice.