

efi sales Ltd.

Equipment for the Foodservice Industry
value + quality + service

COUNTERTOP GLASS DOOR REFRIGERATOR

C1-52GDCT-L



C1-52GDCT-L Features

Features:

- 52 L countertop display refrigerator with light box
- Tempered glass door for maximum product visibility
- Black exterior with white interior
- Digital temperature control
- Adjustable temperature range between 0°C - 10°C

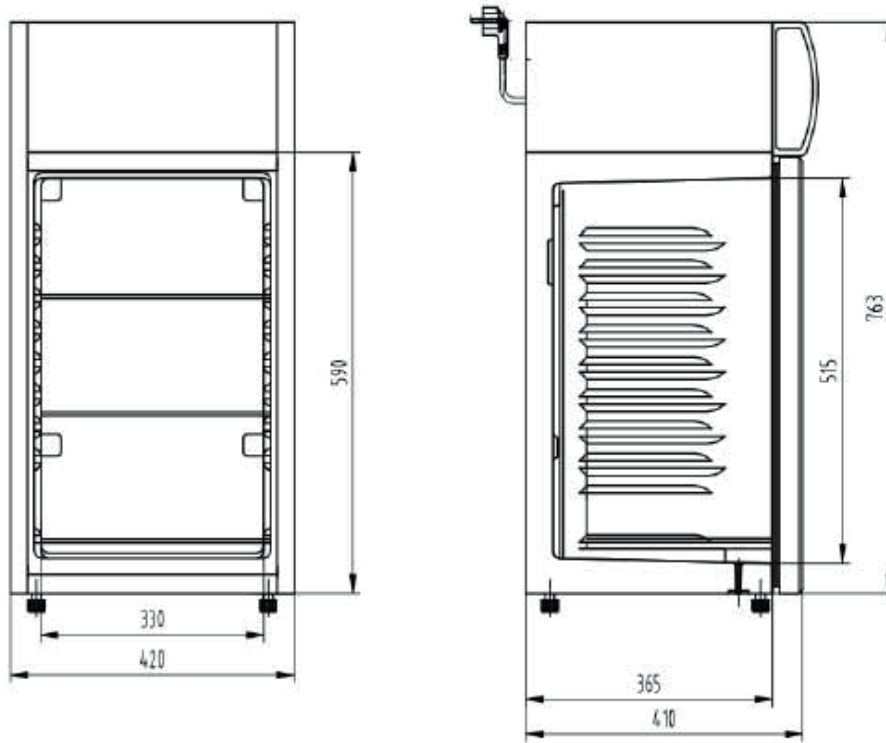
- LED interior lighting
- Adjustable shelves

Warranty:

- One year parts and labour; Five years on compressor. For full warranty details visit <https://www.efifoodequip.com/warranty-info.php>



C1-52GDCT-L Specifications



Model	Refrigrant	Door Type	Shelves	Dimension (mm / inch)			Voltage	Power	Capacity	Net Weight (KG / LBS)	Temperature Range
				W	D	H					
C1-52GDCT-L	R600a	Swing	3	420	451	788	110/60	76 W	52 L	23	0 ~ 10°C
				16.5	17.8	31.0				50.7	32 ~ 50°F

Equipped with one NEMA 5-15P plug

Shipping Information

Crate Dimensions (mm / inch)			Net Weight (KG / LBS)	Gross Weight (KG / LBS)
W	D	H		
502	529	847	23	25
19.7	20.8	33.3	50.7	55.1

Specifications subject to change without notice.