

**PROJECT NAME:** \_\_\_\_\_

**LOCATION:** \_\_\_\_\_

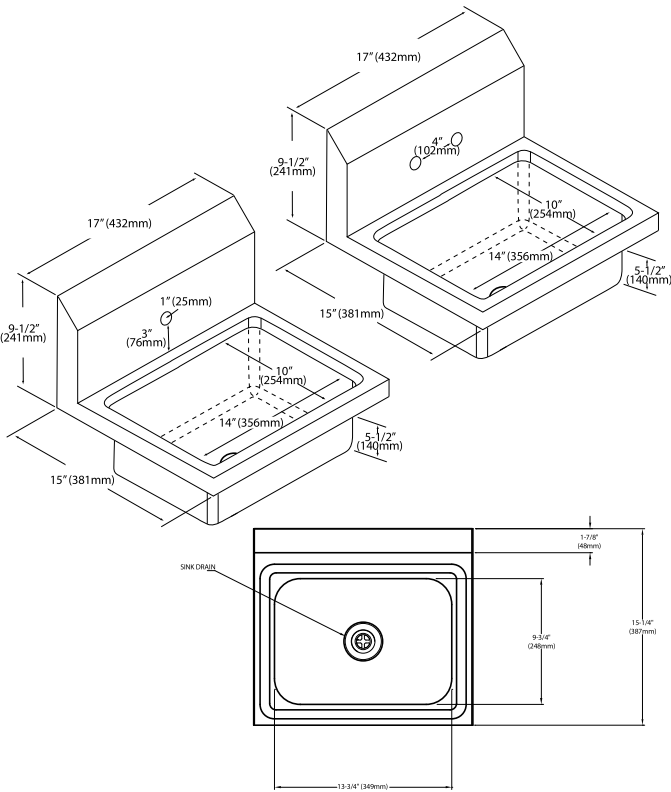
**SPECIFIER ITEM NO.** \_\_\_\_\_ **QTY:** \_\_\_\_\_

**ENCORE PART NO.** \_\_\_\_\_

Encore® Stainless Steel Wall Mounted  
 Hand Sink

**FS20-101405Bx Series**

FS20-101405B1 Single mounting hole  
 FS20-101405B2 Double mounting hole



Dimensions shown in inches (mm) are for reference only and are subject to change.

Sink bowl accepts 1½" NPS stainless steel mini-basket drain

Approximate shipping weight - 15 lbs  
 Warranty - 2 years parts

Stainless steel hand sink is specification and commercial quality

**Commercial Quality Features**

- One piece stainless steel welded construction
- Integral counter top w/ sink bowl and back splash design
- Sink bowl has large radii and rectangular in design
- Sink bowl accepts 1½" NPS stainless steel mini-basket drain

**SPECIFICATIONS:**

Wall mounted hand sink to be Encore FS20 Series in the following configuration:

\_\_\_\_\_ FS20-101405B1 Single mounting hole

\_\_\_\_\_ FS20-101405B2 Double mounting hole

Hand sink to have polished Type 304 stainless steel construction. Sink designed to accept stainless steel mini basket drain. Basket drain to be supplied with crumb cup stopper. Hand sink to be wall mounted by using a 'Z' clip wall bracket and shall be recessed from counter top to create a no-drip offset.